



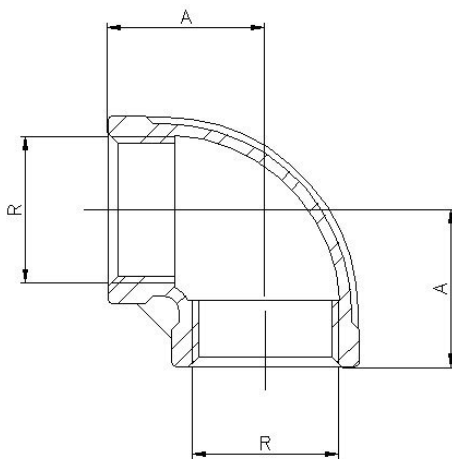
316 STAINLESS STEEL 150LB FITTINGS

GENEBRE PART: 0090 90° ELBOW BSP



SPECIFICATIONS

1	Material AISI 316 (cast)
2	Thread according to DIN 2999
3	Max working pressure 20 BAR (S-150)
4	Temperature range -20°C to + 220°C



90° ELBOW

REF	SIZE R mm	A mm
0090 02	1/4"	19
0090 03	3/8"	23
0090 04	1/2"	27
0090 05	3/4"	32
0090 06	1"	38
0090 07	1 1/4"	45
0090 08	1 1/2"	48
0090 09	2"	57
0090 10	2 1/2"	69
0090 11	3"	78
0090 12	4"	96